



# AIR PREPARATION UNITS

## AIR FILTER Series F1-N1

Cat No F1N - 01 - 01 - A

### AIR FILTER WITH SERVICE INDICATOR - 3/8"

#### Features

- Conforms to ISO 5782 -1
- Suitable for Modular mounting
- Steel bowl guard, bayonet type
- Press type Manual drain for easy operation
- Bronze filtering element
- Separator and shield for efficient moisture separation
- Service indicator turns from green to red when filter element needs to be replaced ( $\Delta p > 1$  bar)



#### Technical Specifications

Model	F14	
Medium	Compressed air	
Port size	G3/8	
Flow rate <sup>@</sup>	lts/min	2250
Maximum supply pressure	bar	10
Medium temperature	C	+5° to +50°
Ambient temperature	C	-10° to +50°
Filtration <sup>#</sup>	µm	1, 5, 25, 40 (standard), 50, 100
Bowl capacity (at maximum condensate level)	ml	32
Bowl material	Polycarbonate	
Installation	Vertical (as in the picture)	
Materials of construction	Aluminium, Bronze, Steel, Acetal, Polycarbonate, SS, Nitrile	
Optional accessories <sup>*</sup>	Clamp, Modular mounting kit, Pressure gauge	
Weight	Kg	0.40

<sup>@</sup> Supply pressure 6 bar, pressure drop  $\Delta p = 0.3$  bar ( For standard models )

<sup>#</sup> For details see " How to order ".

<sup>\*</sup> For details refer Optional accessories Cat No APA - 01 - C

#### Precautions

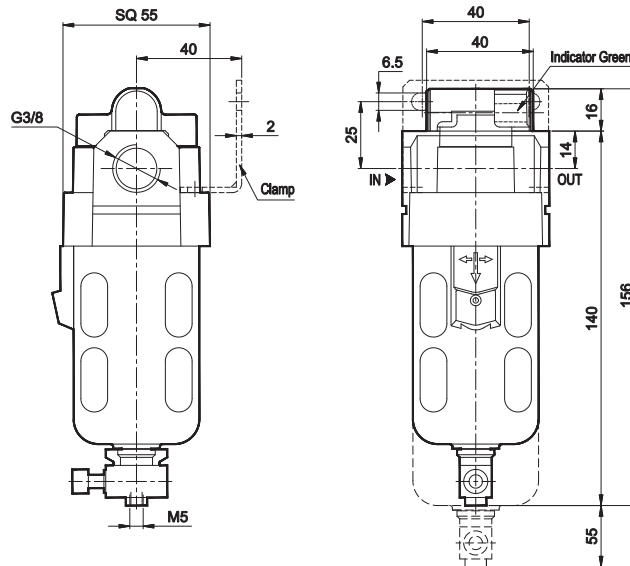
1. Note the direction of flow before installation and connect piping accordingly.
2. Flush pipings for dirt, dust, rust and other foreign particles.
3. Install in clean atmosphere.
4. Nipples of taper threads ( R ) to be used with teflon tape. Ensure teflon tape does not enter the unit during tightening. Nipples of straight threads ( G ) to be used with sealing washer.
5. Polycarbonate bowls may get damaged and possibly fail if exposed to synthetic oils, thinner, solvents, trichloroethylene, kerosene or other aromatic hydrocarbons.
6. Periodically drain the water so that it does not accumulate (or) clog the filter element.

# AIR PREPARATION UNITS

## AIR FILTER Series F1-N1

Cat No F1N - 01 - 01 - A

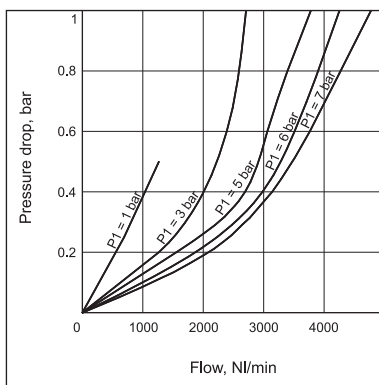
### Model F14...-N1



For Details of Clamp see optional accessories Cat No APA - 01 - C

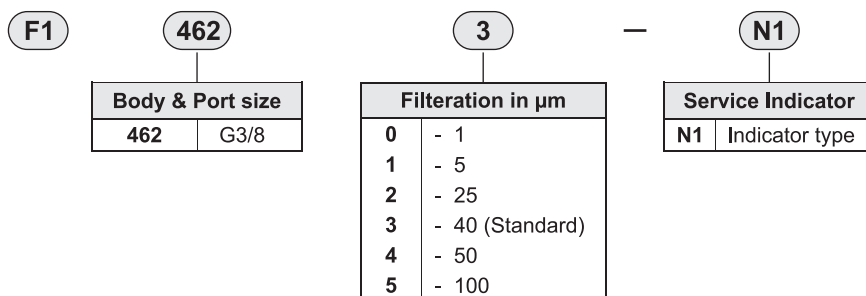
### Flow Graphs

3/8" FILTER



Flow graphs are for 40µm filtrations only.

### How to order



#### Ordering example:

Filter - 3/8 size ( with G3/8 port ) with 50µm filter with indicator type: Ordering No: **F14624-N1**

If ordered as 3/8 Filter with indicator type, our standard model **F14623-N1**, with 40µm will be supplied.

Subject to change